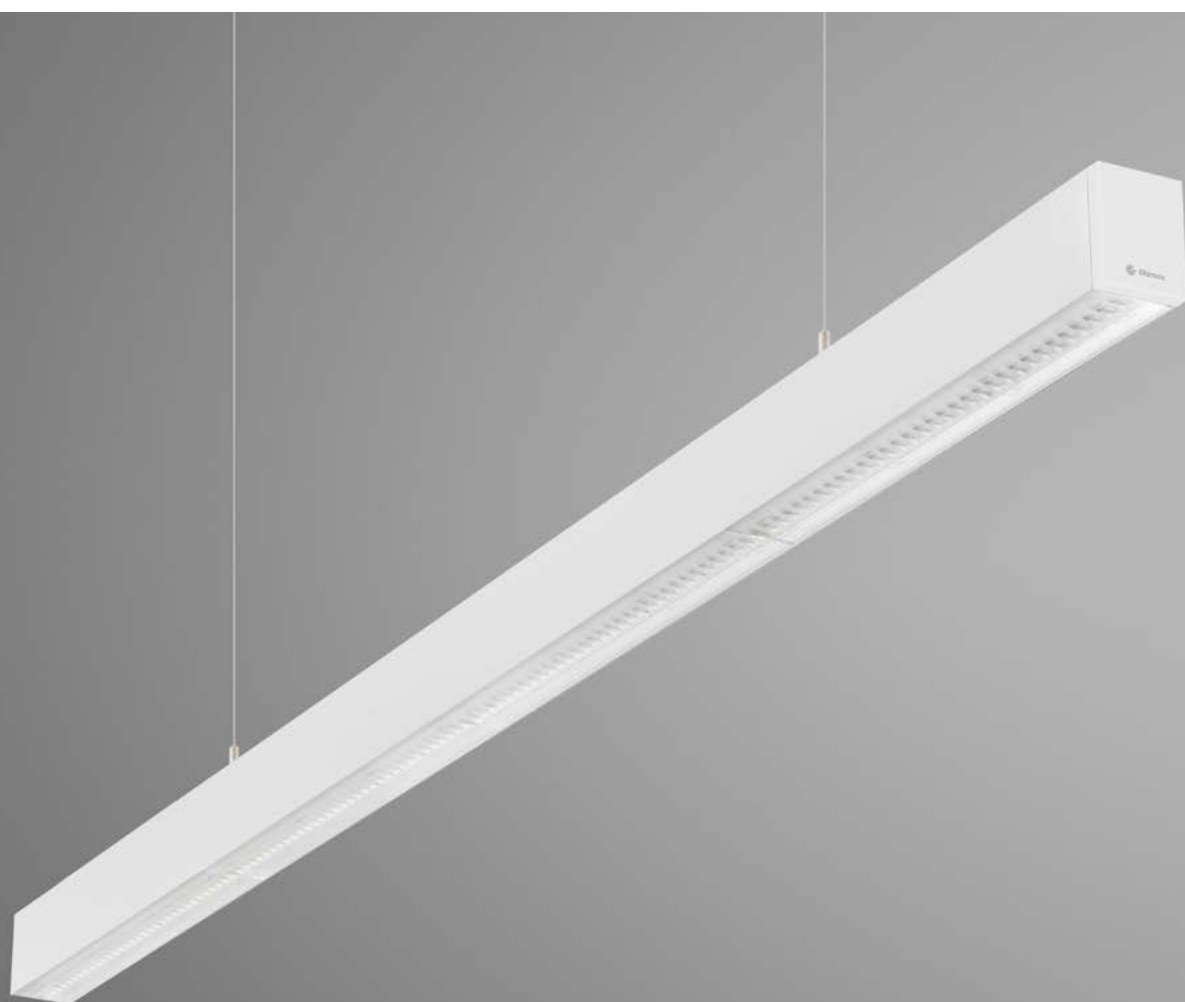
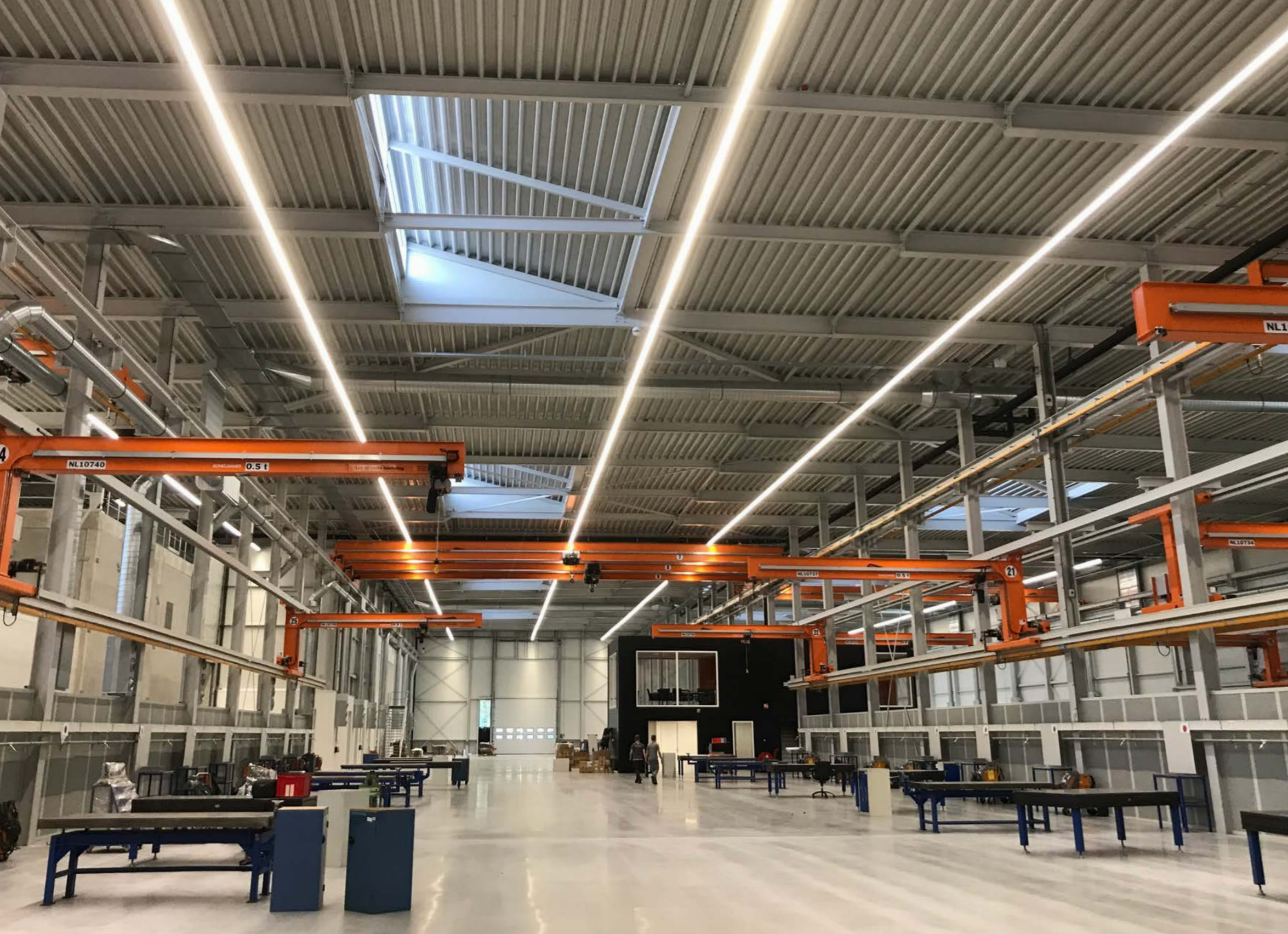


LINDOX

Fast trunking, instant illumination



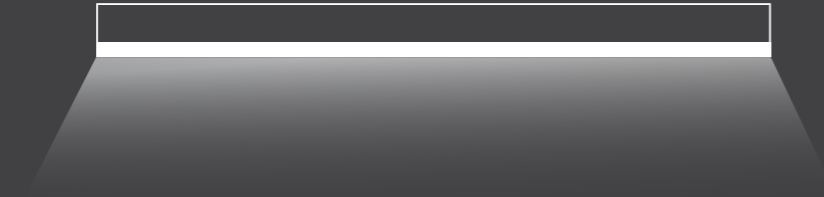


Redefining illumination with innovation

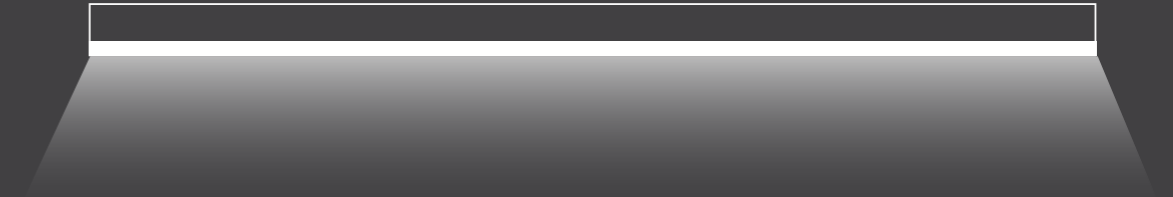
LINDOX is a technical luminaire system that redefines speed, precision, and sustainability in every lighting project. At the heart of this trunking solution lies one of the fastest assembly solutions in the market, which helps you save plenty of installation time and man-hours. The automatic connection plugs at the

luminaire ends and aluminium profile transition rails ensure seamless assembly. All connections between modules happen automatically, requiring only the tightening of two screws. Your lighting project will be up and running in record time.

/ L-L



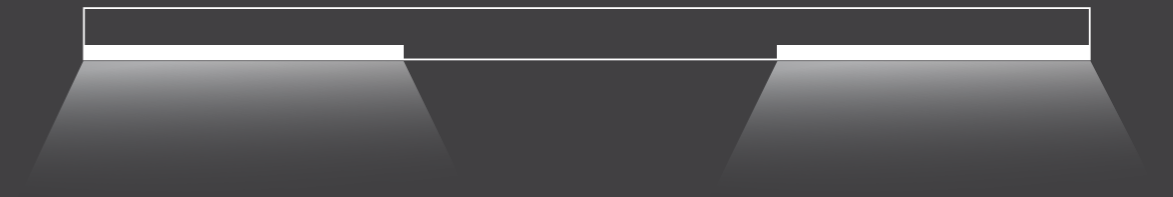
/ L-L-L



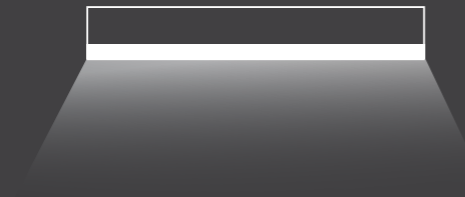
/ L-B



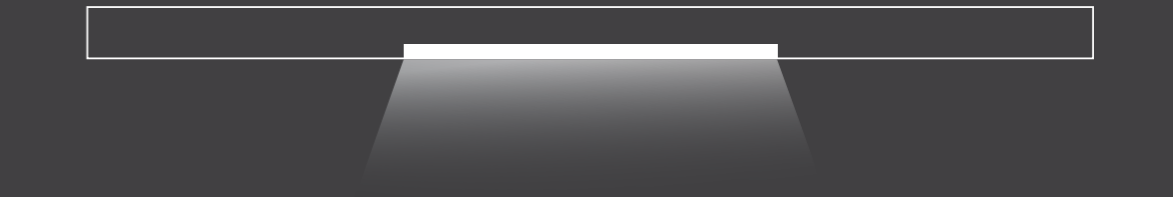
/ L-B-L



/ L



/ B-L-B



Maximized lighting output,
optimized efficiency

In addition to offering practical advantages like speed and convenience, the LINDOX system delivers outstanding lighting performance. Its modern optics solutions deliver impressive lighting parameters, including a luminous efficacy of up to 190lm/W and an impressive

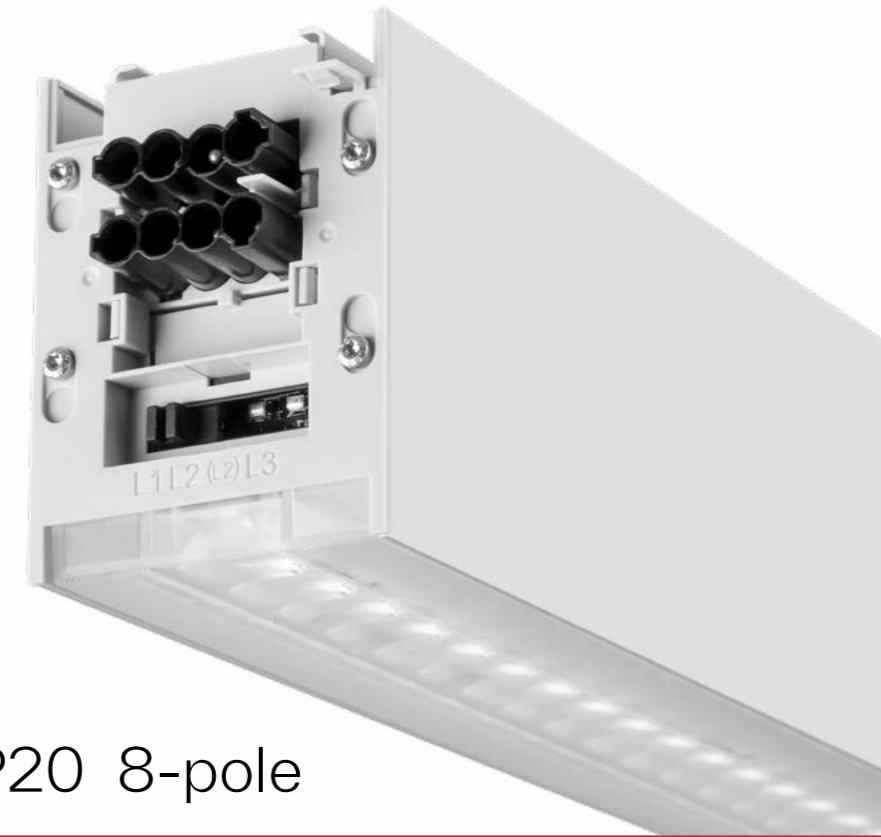
lumen output of up to 10,000 lm/m, all the while ensuring low glare levels (UGR < 19). The wide range of available light distribution curves allows for plenty of design freedom while providing the right lighting parameters for various applications.



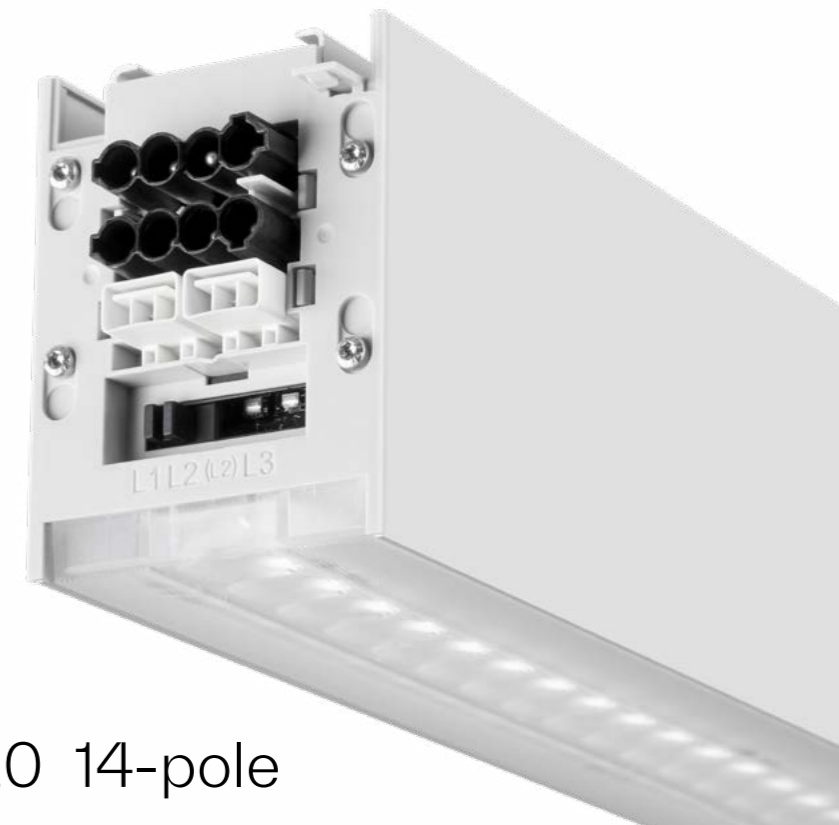
Sustainable design and easy installation

LINDOX reflects Glamox's commitment to sustainability with its optimised construction, recycled aluminium profiles, and energy-efficient practices during production. We've minimised this system's carbon footprint by eliminating unit packaging, maximising efficiency during use, and utilising recycled materials.

The monolithic, single-component structure of LINDOX eliminates the need to open luminaires during installation. A quick click, and the assembly is complete. The automatic and self-guiding electrical connectors ensure precise connections, expanding your possibilities by using up to 14 power track lines. This is complemented by the phase selector which allows for flexible phase or circuit adjustment directly on-site, reducing the variations of required separate product items by 66%.



IP20 8-pole



IP20 14-pole



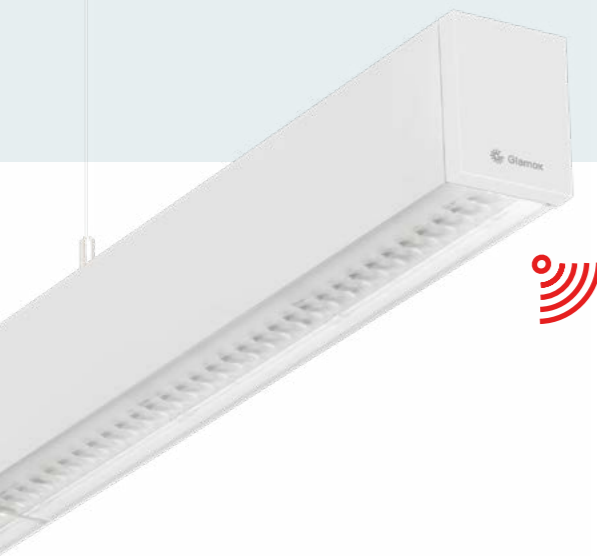
Efficient pricing and varied installation

LINDOX uses modern power supply units to optimise pricing – especially for the 6-metre version. The “one power supply unit per module” approach minimises the number of DALI addresses required and makes it possible to create light lines with lengths up to 200 m with one power supply unit.

Various mounting accessories can be used to address different on-site requirements and offer flexibility when installing pendant, chain, ceiling or T-bar systems. The grooves in the profile structure even allow additional cables to be installed and offer an ideal cable routing solution for other facility systems.

Smart controls for energy-efficient lighting

LINDOX luminaires can be enhanced with built-in smart sensors, seamlessly integrated with our light management systems. These sensors enable precise lighting control, ensuring energy-efficient operation by reducing energy consumption and creating a more comfortable environment with the right light at the right time.



Smart luminaires

With built-in sensors, LINDOX luminaires automatically adjust lighting based on human presence and natural light levels. This ensures optimal illumination while minimizing energy use.

Flexible control systems

We offer a range of control solutions to suit your needs:

/ Glamox Ethernet2DALI (E2D)

Our cabled solution offers extensive design flexibility and can be connected to Glamox Connect for additional monitoring features.

/ Glamox Wireless Radio

Ideal for retrofitting, this wireless system offers the fastest commissioning on the market, with a user-friendly tablet setup and no need for additional cabling.



Glamox Connect

Our online dashboard allows easy monitoring and management of your lighting installation, optimizing operations, reducing costs, and supporting sustainability. It provides clear, graphical data presentations for smarter decision-making.

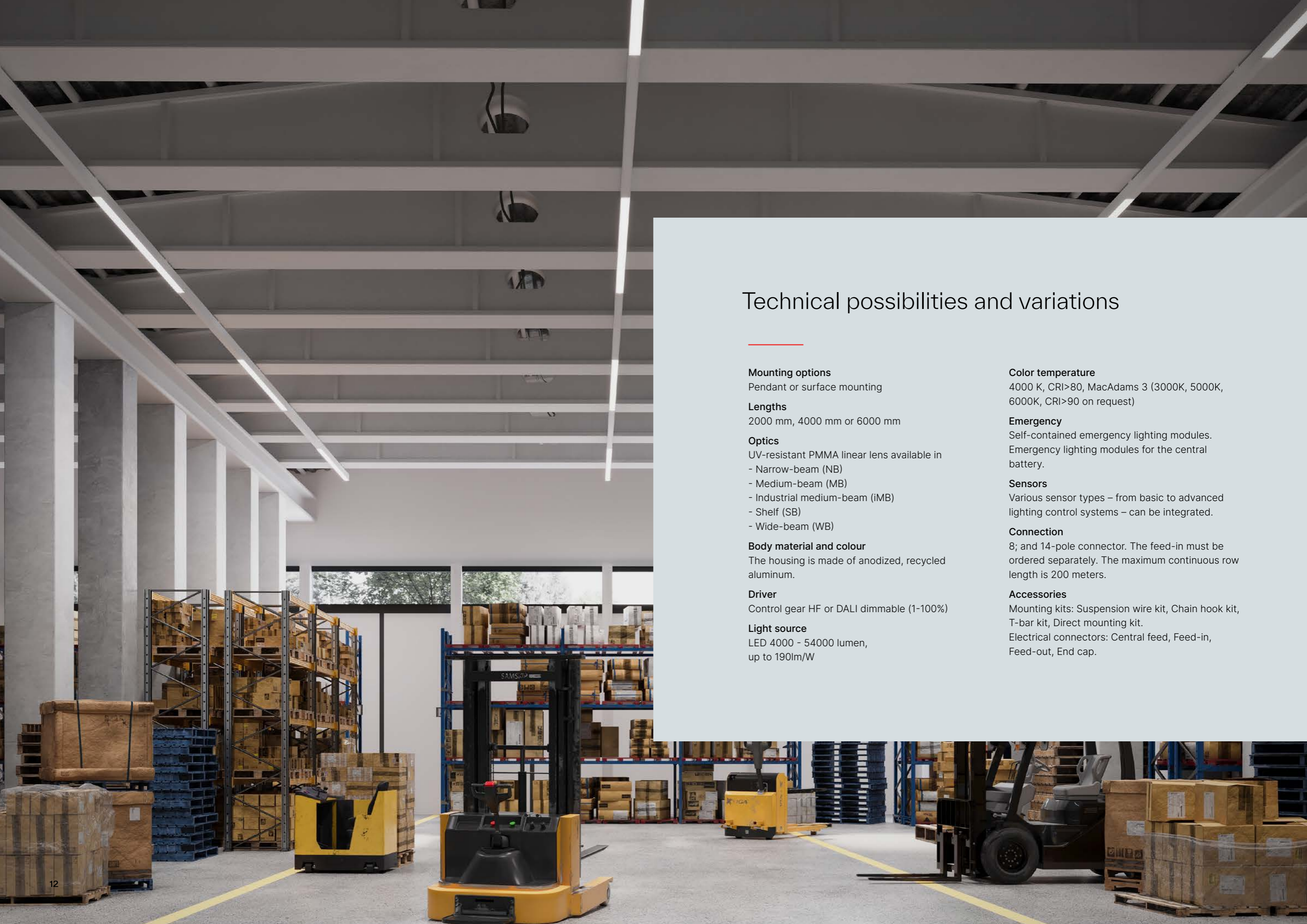


Glamox Connect

An online dashboard solution for central monitoring

Additional lighting modules

In addition to built-in sensors, we offer supplementary modules to enhance your lighting system, including spotlights, emergency lighting, feed modules, and global track systems.



Technical possibilities and variations

Mounting options

Pendant or surface mounting

Lengths

2000 mm, 4000 mm or 6000 mm

Optics

UV-resistant PMMA linear lens available in

- Narrow-beam (NB)
- Medium-beam (MB)
- Industrial medium-beam (iMB)
- Shelf (SB)
- Wide-beam (WB)

Body material and colour

The housing is made of anodized, recycled aluminum.

Driver

Control gear HF or DALI dimmable (1-100%)

Light source

LED 4000 - 54000 lumen, up to 190lm/W

Color temperature

4000 K, CRI>80, MacAdams 3 (3000K, 5000K, 6000K, CRI>90 on request)

Emergency

Self-contained emergency lighting modules. Emergency lighting modules for the central battery.

Sensors

Various sensor types – from basic to advanced lighting control systems – can be integrated.

Connection

8; and 14-pole connector. The feed-in must be ordered separately. The maximum continuous row length is 200 meters.

Accessories

Mounting kits: Suspension wire kit, Chain hook kit, T-bar kit, Direct mounting kit.

Electrical connectors: Central feed, Feed-in, Feed-out, End cap.

Illuminate your world with LINDOX
– where innovation meets efficiency,
and sustainability meets performance.
Upgrade your lighting experience
today!



Creating light for a better life

The Glamox Group

Glamox is a Norwegian industrial group that develops, manufactures and distributes professional lighting solutions for the global market. Our mission is to provide sustainable lighting solutions that improve the performance and wellbeing of people.

High performance and ease of use

Our solutions are designed to combine high performance and sustainability with simplicity and ease of use, offering a superior customer experience. We make smart use of the latest technology and supply it with generations of experience and true care for our customers and their people.

Quality brands and dedicated support

We offer our solutions through a range of quality lighting brands. Regardless of brand, the close follow-up of each customer is at the heart of our offering. Whether in a production facility, a fishing vessel or an office building, our ambition is to provide lighting that contributes to a better life for the businesses we serve and those who work there.

