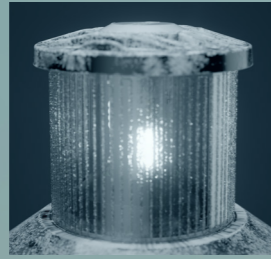


Series 76N(D) and Arctic

LED Navigation Light for Harsh Environments, Coast Guard,
Naval Support Ships and Arctic Application



LED Arctic



Arctic

Arctic version with heated borosilicate glass



Schock tested

Designed and shock tested (50g) for Naval Patrol and Support Ship applications

NVG compatible

The Series 76ND & Arctic are NVG compatible also without dimming



One housing

Lights with Single or Double LEDs in one housing



Approvals

According to COLREG and Wheelmark approved

Series 76N(D) and Arctic

LED Navigation Light for Harsh Environments, Coast Guard, Naval Support Ships and Arctic Application



The Series 76N(D) and 76N(D) Arctic covers a complete range of LED Navigation lights for ships operating in harsh environments, Coast Guard ships, Naval Patrol and Naval Support Ships from 20 meters and above in length and fulfils all requirements of IMO Anti Collision Regulations as well as special Naval requirements, such as NVG compatibility. The Series is offered in Standard as well as Arctic versions and with Single and Double LEDs in one housing.

The S76N(D) and S76N(D) Arctic were developed to meet the specific needs of Naval and Coast Guard Ships as well as ships that operate in harsh environments.

The product range also includes special versions with Flashing Lights, Wake Lights, Contour Lights, Steering Lights, and Hoistable Lights as well as variants that can be installed Upside Down. The Navigation

Lights can be controlled as single lights or as a group and can be programmed according to Customer requirements. SRTP (Safe Return To Port) can also be offered as an option on our S76N(D) navigation light systems.

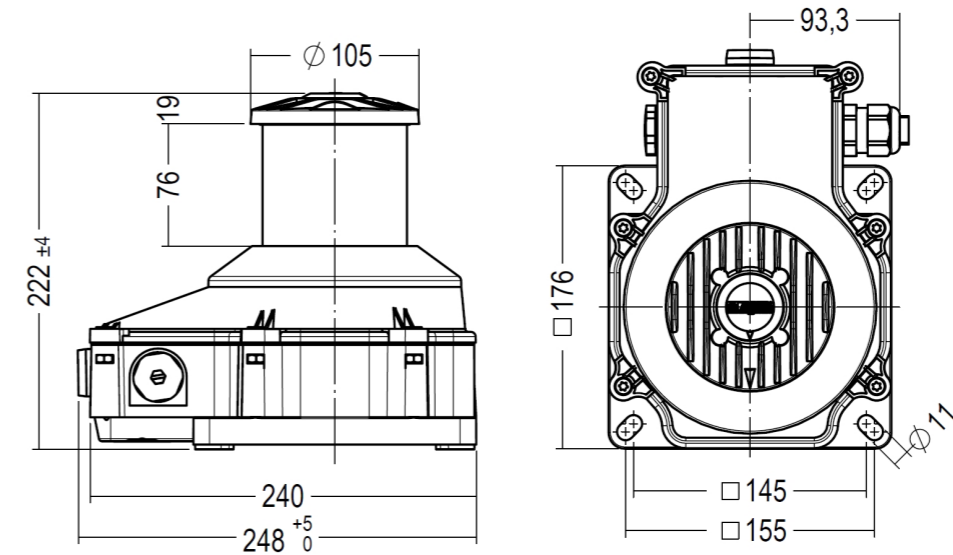
Navigation Light voltage is 24VDC, but the Navigation Light Controller Voltage is flexible and the system input power to the Switch Cabinet can be 24VDC, 115 VAC or 120-240 VAC.

S76N(D) and S76N(D) Arctic are Wheelmark (MED Certificate – Approved by DNV) certified and according to COLREG. UL1104 and USCG planned.

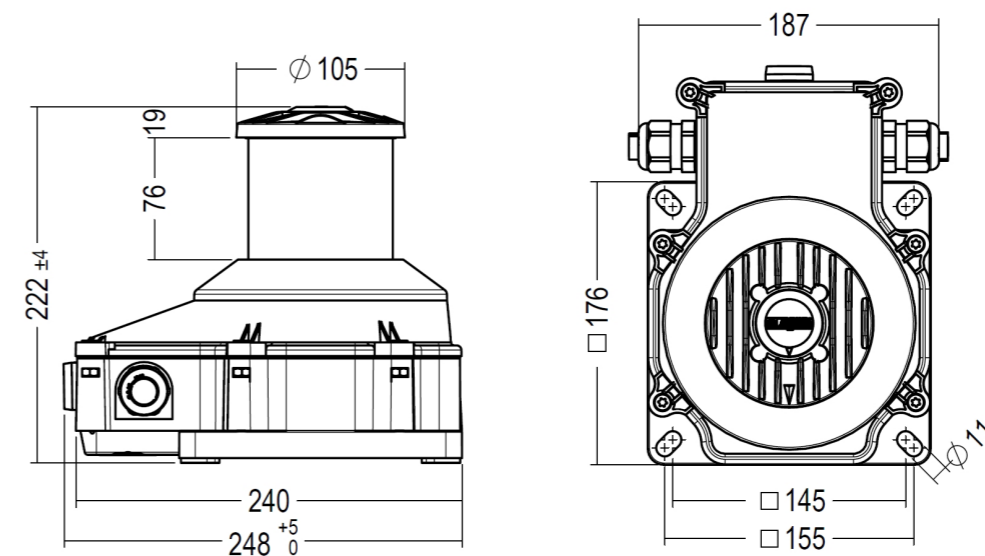
S76N and S76N Arctic = Single version
S76ND and S76ND Arctic = Double version



Series 76N and Arctic



Series 76ND and Arctic



Series 76N(D) and Arctic

LED Navigation Light for Harsh Environments, Coast Guard, Naval Support Ships and Arctic Application



Technical description

Application:

For vessels ≥20 meter in length

Basic facts

- Light source: LED
- Protection class: IP66/IP67
- Ambient Temperature: Standard version: -25°C to +55°C
- Arctic version: -40°C to +55°C
- Voltage: 24V DC
- Lifetime: 1x100.000 hours (Main) at Ta 45°C for Single Version (76N and 76N Arctic) /v 2x100.000 hours (Main and Spare) at Ta 45°C for Double Version (S76ND and 76ND Arctic)

Housing

- Polycarbonate housing and housing cover
- Borosilicate glass
- Top cover: Seawater resistant aluminum
- Stainless steel screws and nuts (Hexagon nuts M6)

Cable gland

- Cable Gland Size: Single: 1 x M25 x 1.5 / Double: 2 x M25 x 1.5
- Polyamide cable glands, for outer cable Ø 9.00-17.00 mm (Standard), Ø 8.00-12.00 mm (Reducer ring)

Quality

The products have gone through a series of tests including:

1. EMC Test: DNV EMC Class B, Bridge and Open Deck according to IEC60092
2. Shock Test: up to 50g
3. Vibration Test: 2.3g for 2 hours
4. Climatic testing
5. Salt mist spray tests: Level 6 at 1000 hours
6. Tests for IP rating: Dust and water

Dimensions & weight

- Dimension: 248 mm x 187 mm x 222 mm (LxVxH)
- Weight of single 24V version: 2.25 kg
- Weight of double 24V version: 2,5 kg
- Same footprint dimension as S65 and S70

Installation

Large junction box and easy access to terminals

- Minimum cable cross-section: 1.5 mm²
- Maximum cable cross-section: 2.5 mm²
- Permissible operational voltage range to be observed

Operation

- Can be operated with a Glamox OR a third party Navigation Light Control Panel. Compatibility and functional ability must be confirmed by the third party control panel supplier, including COLREG compliance.
- Able to measure low current draw

Easy to install to vessel structure

- Only four bolts to fasten
- Same footprint dimensions as Series 65 and Series 70/70M
- Can be installed upside-down

Certificates

- Wheelmark (MED Certificate - Approved by DNV)
- UL1104 (pending)
- USCG (pending)

Warranty

5 year warranty

Approvals

- EN 14744 (20015 – including AC 2006) Inland and Seagoing vessels – Navigational lights standards
- IEC 60945 Ed. 4.0, 2002 including Corr.1, 2008 Maritime navigation and radio equipment standards, including EMC
- COLREG 72, Annex I/14 International regulations for preventing collisions at sea MSC.253(83) Performance standards for navigational lights and control panels and associated equipment.
- IMANNA

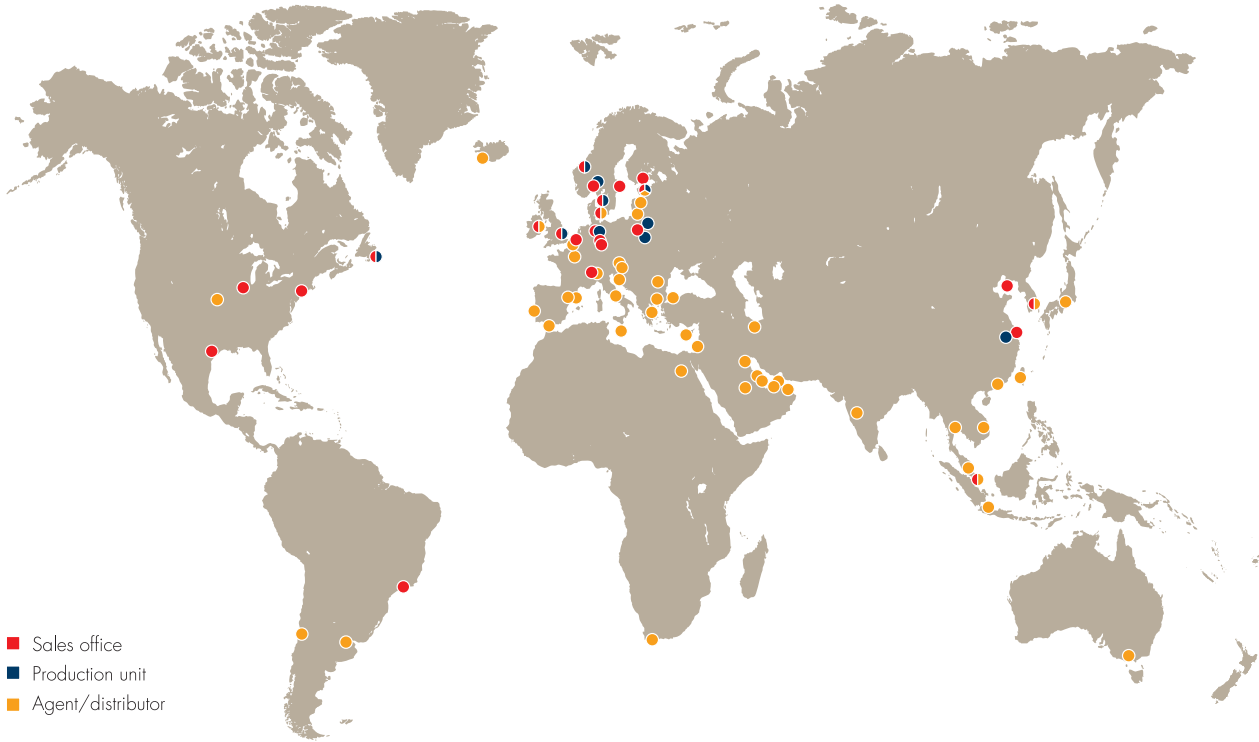
Naval mode

- NVG compatible also without dimming in COLREG Mode.
- NVG compatible and full range dimming in Naval Mode.

Available Variants

	Range (nm)	Item numbers	
		S76N – Single	S76N Arctic – Single
Main system (24V DC)			
Masthead	6	36810XXXXX	36810XXXXX
Starboard	3	36831XXXXX	36831XXXXX
Port	3	36842XXXXX	36842XXXXX
Stern white	3	36827XXXXX	36827XXXXX
Stern yellow	3	36824XXXXX	36824XXXXX
Stern blue	3	36825XXXXX	36825XXXXX
All-round green	3	36801XXXXX	36801XXXXX
All-round red	3	36802XXXXX	36802XXXXX
All-round yellow	3	36804XXXXX	36804XXXXX
All-round blue	3	36805XXXXX	36805XXXXX
All-round white	3	36807XXXXX	36807XXXXX
All-round red (2x180°)	3	36802XXXXX	36802XXXXX
All-round white (2x180°)	3	36807XXXXX	36807XXXXX
All-round green upside down (2x180°)	3	36801XXXXX	36801XXXXX
All-round red upside down (2x180°)	3	36802XXXXX	36802XXXXX
All-round white upside down (2x180°)	3	36807XXXXX	36807XXXXX
All-round red hoistable	3	36802XXXXX	36802XXXXX
All-round white hoistable	3	36807XXXXX	36807XXXXX
Wake light	x	33221XXXXX	-
Contour light starboard	3	33235XXXXX	33235XXXXX
Contour light port	3	33235XXXXX	33235XXXXX
Steering light	x	33285XXXXX	33285XXXXX
Manoeuvre light	5	36800XXXXX	36800XXXXX
Main and reserve system (24V DC / 24V DC)		S76ND – Double	S76ND Arctic – Double
Masthead	6	36760XXXXX	36760XXXXX
Starboard	3	36781XXXXX	36781XXXXX
Port	3	36792XXXXX	36792XXXXX
Stern white	3	36777XXXXX	36777XXXXX
Stern yellow	3	36774XXXXX	36774XXXXX
All-round green	3	36751XXXXX	36751XXXXX
All-round red	3	36752XXXXX	36752XXXXX
All-round yellow	3	36754XXXXX	36754XXXXX
All-round blue	3	36755XXXXX	36755XXXXX
All-round white	3	36757XXXXX	36757XXXXX
All-round red (2x180°)	3	36752XXXXX	36752XXXXX
All-round white (2x180°)	3	36757XXXXX	36757XXXXX
All-round green/red	3	36753XXXXX	-
All-round white/red	3	36753XXXXX	-
All-round white/green	3	36753XXXXX	-
All-round white/green (2x180°)	3	36753XXXXX	-
All-round green/red (2x180°)	3	36753XXXXX	-
All-round white/red (2x180°)	3	36753XXXXX	-
All-round green upside down (2x180°)	3	36751XXXXX	36751XXXXX
All-round red upside down (2x180°)	3	36752XXXXX	36752XXXXX
All-round white upside down (2x180°)	3	36757XXXXX	36757XXXXX
All-round red hoistable	3	36752XXXXX	36752XXXXX
All-round white hoistable	3	36757XXXXX	36757XXXXX

Series 76N(D) is available in Single versions (Series 76N), Double versions (Series 76ND), Single Arctic versions (Series 76N Arctic) and Double Arctic versions (Series 76ND Arctic). For further questions on variants, please contact Navy & Coast Guard sales team.



- Sales office
- Production unit
- Agent/distributor

Germany

- Glamox Marine and Offshore GmbH
BU Glamox Marine Germany
Bremen
Tel +49 421 36 93 52-0
sales.marinegermany@glamox.com

- Glamox Marine and Offshore GmbH
BU LINKSrechts
Seevetal
Tel: +49 (0) 4105 580 59 0
info@LINKSrechts.de

Norway

- Glamox AS
Glamox Northern Europe
Molde
Tel +47 71 25 04 00
info.gj@glamox.com

The Netherlands

- Glamox B.V.
Numansdorp
Tel +31 186 653 111
info.nl@glamox.com

Canada

- Glamox Inc.
St. John's
Newfoundland
Tel +1 709 753 2373
sales@glamox.ca

USA

- Glamox Aqua Signal Corporation
Houston, Texas
Tel +1 (281) 944-4100
glamoxus@glamox.com

Brazil

- Glamox Brasil Iluminacao LTDA
Rio de Janeiro
Tel + 55 (21) 36 17 6003
arlindo.moreira@glamox.com

Singapore

- Glamox PTE. LTD
Singapore
Tel +65 6748 1977
Fax +65 6742 9711
sales@glamoxfe.com.sg

China

- Glamox Trading Co.Ltd.
Shanghai
Tel +86 21 6039 3310
info@glamoxcn.com

South-Korea

- Glamox Co. Ltd.
Busan
Tel +82 51 971 7200
info@glamox.co.kr



Please refer to our website for information about our 5 year warranty.