

Glamox Series 60 and Series 61

Enduring LED navigation lights with integrated countdown system





Aqua Signal has been delivering top-of-the-line marine lighting solutions since before the age of electricity, providing lighting products designed and manufactured to meet all relevant standards for quality and performance at sea.

Today, Aqua Signal is a world brand, offering a complete range of interior and exterior lighting, including navigations lights, watertight luminaires and other specialized lighting products for marine applications. Aqua Signal products are robust, of superior quality, and may be tailor-made for particular projects.



Photo: Grovford mek, Veriksted

Enduring LED navigation lights with integrated countdown system

Aqua Signal's Series 60 and Series 61 are LED navigation lights for vessels below and above 50 meters in length. Long product lifetime has been an essential priority when designing the two single tier lanterns. A smart, tamper proof countdown system will also give the user a warning when it's time to replace the lanterns. Even at an ambient temperature at 45 °C the lifetime is 100 000 hours.





Photo: © Redningssekskapet

Long product lifetime

Navigation lights are all about safety. Glamox has developed Series 60 and 61 to make worries about failing lanterns redundant.

The Series 60 and 61 are designed to last for 100.000 hours at an ambient temperature of 45°C. That's twice the lifetime of most competing products. To achieve this kind of longevity the design must be sturdy and all components must be of high quality. This includes high-quality LED driver, driver technology and use of materials such as seawater resistant aluminium, polycarbonate and hardened tempered glass, that can withstand rough weather and varying temperatures. The system lifetime of the LED light source and driver is 11 years given a continuous runtime of 24 hours a day at an ambient temperature of 45°C.



Quality

The products have gone through a series of tests including:

- Shock tests (up to 15g, 3-Axes)
- Vibration testing (2.3g for 2 hours)
- Climatic testing (-25°C up to +55°C)
- Salt mist spray tests (level 6 at 1000 hours)
- EMC testing
- Tests for IP rating (Dust and water)

Seawater resistant aluminium

Hardened tempered glass

High quality LED

Polycarbonate



Product range



20-50m
Series 60



>50m
Series 61



Starboard



Port



Masthead



Towing





Integrated countdown system

Having a lantern come to end of life or fail while you're at sea is something you don't want to risk. Series 60 and 61 are equipped with a countdown system that will let you know when it's time to replace the navigation light. To make the system tamper proof, the timer is integrated in each lantern while the message is communicated and displayed in the control panel. The system reflects the use of the lantern, whether it is exposed to cold temperatures and harsh weather or conditions with less wear and tear. This system provides added safety for the vessel.



Low Emission

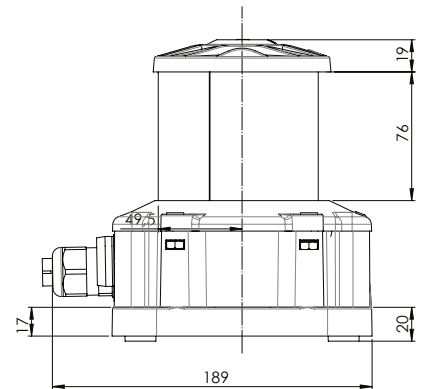
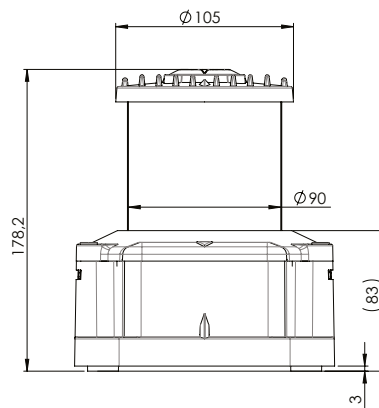
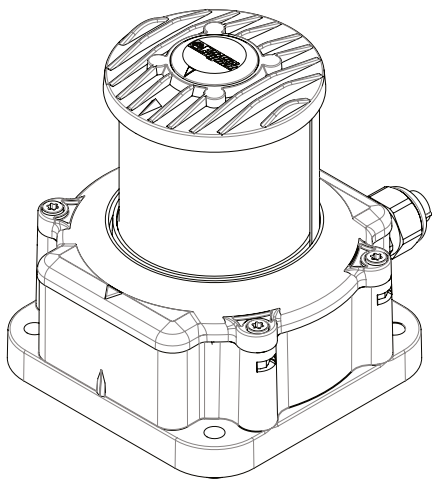
There are strict requirements for electromagnetic compatibility (EMC) for lanterns that should be installed close to VHF antenna. Our lanterns type 60 and 61 have a low emission level and were tested and comply with the emission and immunity requirements of the IEC 60945.

A flexible choice

Series 60 and 61 are designed to work with the Aqua Signal Navigation light control panel, but they offer a lot of flexibility because they can be operated with third party panels.* The products are easy to install, only four bolts to fasten. It can be installed upside-down for all variants, with exception of Port, Starboard and Masthead due to visibility angles in COLREG requirements. The internal connection box offers a lot of space for connection wires.

* Compatibility must be confirmed by control panel supplier. For vessels above 50 meters, using Series 61, a dual installation is required (for Masthead, starboard, port and stern). To be according to COLREG requirements.





Technical Data

Voltage supply, main system:	115V/230V AC or 24V DC
Illuminant:	LED
Permissible ambient temperature for storage and operation:	$-25^{\circ}\text{C} \leq T \leq 55^{\circ}\text{C}$
Protection class:	IPX6 / IPX7
Dimensions:	154 mm × 190 mm × 180 mm
Weight of plastic luminaire 24V:	1,5 kg
Weight of plastic luminaire 115V–230V:	1,9 kg
Cable gland at polycarbonate housing:	Polyamide, for outer cable diameter 9–17 mm
Certificates:	Wheelmark, UL (pending), RMRS (pending)

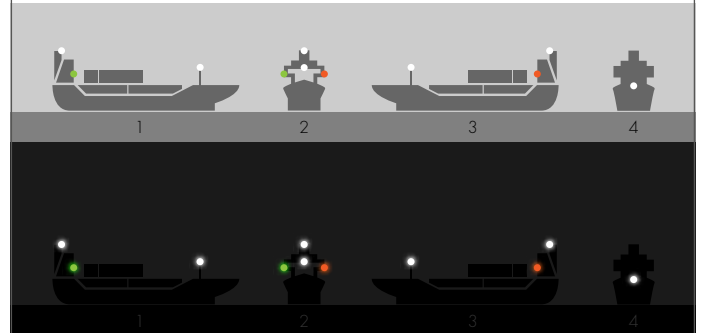
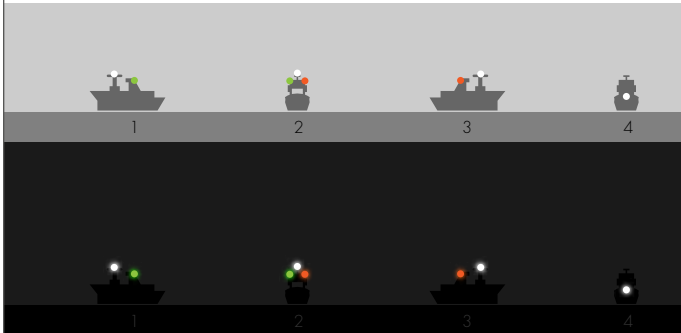
Series 60

20-50m

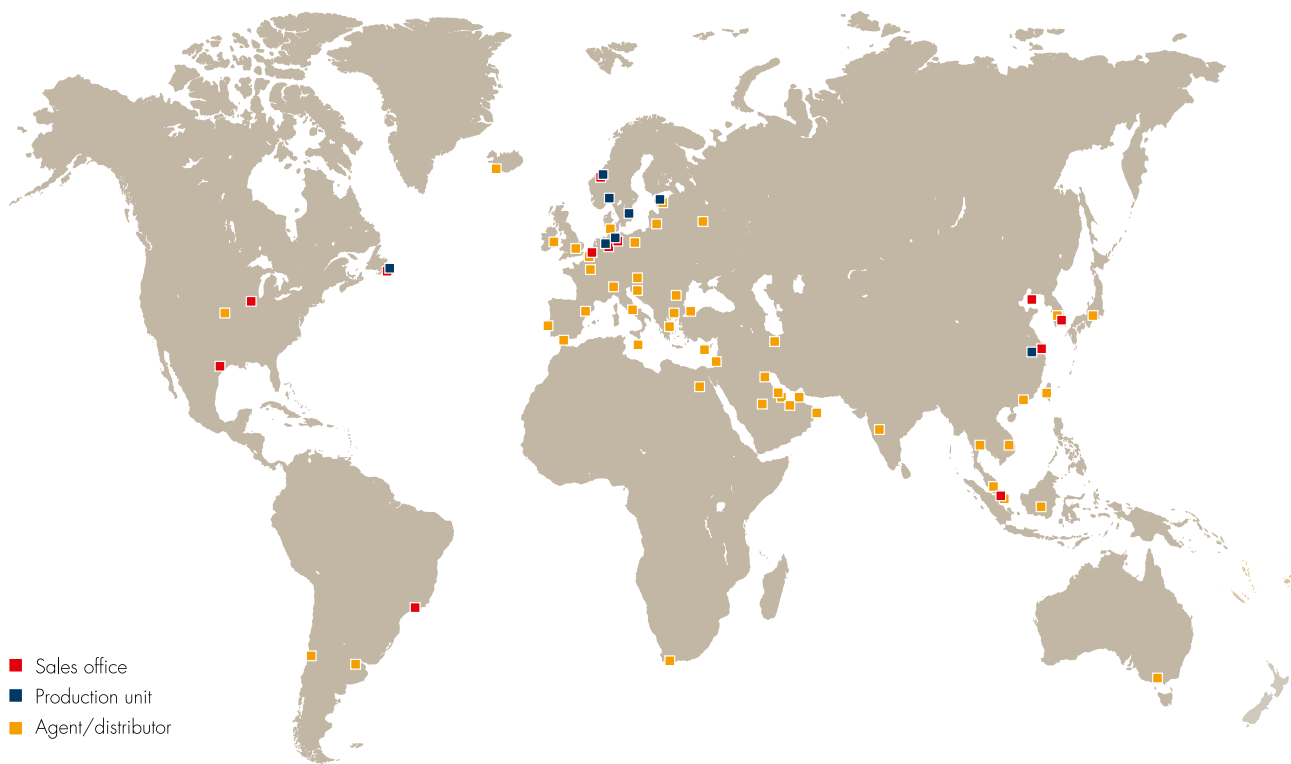


Series 61

>50m



	S60	Black polycarbonate housing		S61	Black polycarbonate housing	
Main system	Range 20-50 m	115V / 230V AC	24V DC	Range >50 m	115V / 230V AC	24V DC
Port	2 NM	3669205000	3669203000	3 NM	3674205000	3674203000
Starboard	2 NM	3668105000	3668103000	3 NM	3673105000	3673103000
Masthead	5 NM	3666005000	3666003000	6 NM	3671005000	3671003000
Stern white	2 NM	3667705000	3667703000	3 NM	3672705000	3672703000
Stern yellow	2 NM	3667405000	3667403000	3 NM	3672405000	3672403000
Signal white	2 NM	3665705000	3665703000	3 NM	3670705000	3670703000
Signal green	2 NM	3665105000	3665103000	3 NM	3670105000	3670103000
Signal red	2 NM	3665205000	3665203000	3 NM	3670205000	3670203000
Signal white (2x180°)	2 NM	3665705003	3665703003	3 NM	3670705003	3670703003
Signal green (2x180°)	2 NM	3665105003	3665103003	3 NM	3670105003	3670103003
Signal red (2x180°)	2 NM	3665205003	3665203003	3 NM	3670205003	3670203003



- Sales office
- Production unit
- Agent/distributor

Germany

- Glamox Aqua Signal GmbH
Bremen
Tel +49 421 36 93 52-0
Fax +49 421 36 93 52-210
sales.aquasignal@glamox.com

- LINKSrechts GmbH
Gustav-Becker-Strasse 20a
21218 Seevetal/Hamburg
Tel: +49 (0) 4105 580 59 0
Fax: +49 (0) 4105 580 59 59
info@linksrechts.de

Norway

- Glamox AS
BU Glamox International
Molde
Tel +47 71 25 04 00
Fax +47 71 21 85 40
info.gj@glamox.com

The Netherlands

- Glamox B.V.
Numansdorp
Tel +31 186 653 111
Fax +31 186 654 315
info.nl@glamox.com

Canada

- Glamox Inc.
St. John's
Tel +1 709 753 2373
Fax +1 709 753 2180
sales@glamox.ca

USA

- Glamox Aqua Signal Corporation
Houston, Texas
Tel +1 (281) 944-4100
Fax +1 (847) 639-7047
glamoxus@glamox.com

- Glamox Aqua Signal Corporation
Cary, Illinois
Tel +1 (847) 639 6412
Fax +1 (847) 639 7047
customerservice.us@glamox.com

Brazil

- Glamox Brasil Iluminação LTDA
Niterói RJ
Tel +55 21 3617 6003
brasil@glamox.com

Singapore

- Glamox PTE. LTD
Singapore
Tel +65 6748 1977
Fax +65 6742 9711
sales@glamoxfe.com.sg

China

- BU Sales China
Dalian
Tel +86 21 6039 3310
Fax +86 21 6039 3304
info@glamoxcn.com

- BU Sales China
Shanghai
Tel +86 21 6039 3310
Fax +86 21 6039 3304
info@glamoxcn.com

Korea

- Glamox Co. Ltd.
Busan
Tel +82 51 97 17 200
Fax +82 51 97 19 273
info@glamox.co.kr

Product brands:



Please refer to our website for information about our 5 year warranty.