

Series 66N(D) MIL and Arctic

LED Navigation Light for harsh environments, Naval and Arctic Application





Arctic

Arctic version with heated borosilicate glass

NVG compatible

The Series 66N(D) MIL & Arctic are NVG compatible also without dimming



One housing

Lights with Single or Double LEDs in one housing



Applications

Designed and MIL tested according to frigate requirements for EMC, shock, and vibration

Approvals

According to COLREG and Wheelmark approved



Series 66N(D) MIL and Arctic

LED Navigation Light for harsh environments, Naval and Arctic Application



The Series 66N(D) MIL and 66N(D) MIL Arctic cover a complete range of LED Navigation lights for harsh environments and Naval applications for ships from 20 meters in length, and fulfils all requirements of IMO Anti Collision Regulations as well as special Naval requirements, such as NVG compatibility and MIL specification. The series is offered in Standard as well as Arctic versions and with Single and Double LEDs in one housing.

The S66N(D) MIL and S66N(D) MIL Arctic were developed to meet the specific needs of Naval Ships as well as ships that operate in harsh environments and is designed and MIL tested according to frigate requirements for EMC, Shock, and Vibration.

The product range also includes special versions with Flashing, Hoisting, Dome Light, Wake Light, and Steering Light. Our naval navigation lights can be controlled as single lights or as a group and programmed according to customer requirements. SRTP (Safe Return To Port) can also be offered as an option on our MIL Navigation Light Systems.

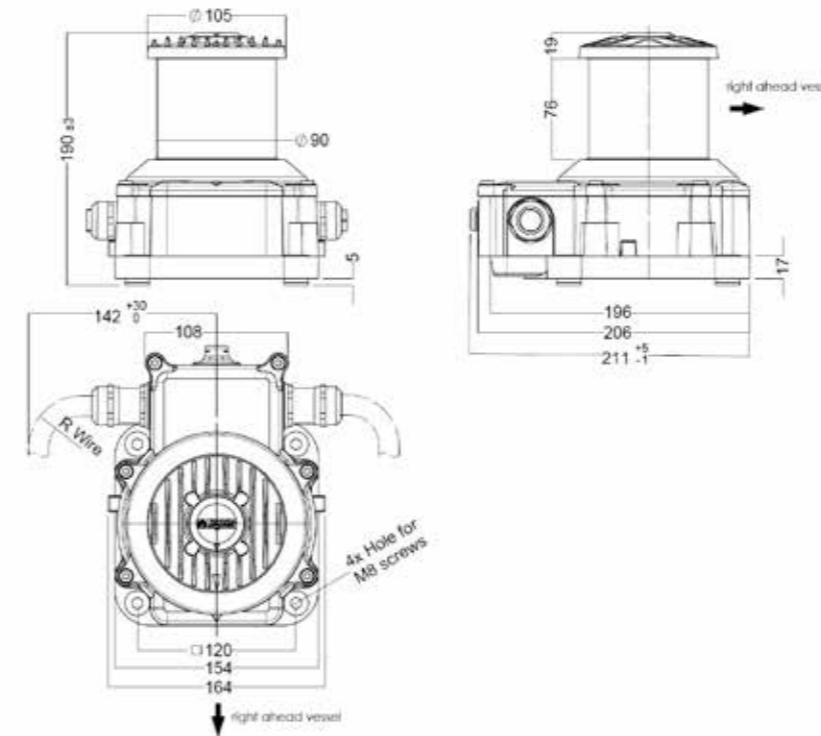
Navigation Light voltage is 24VDC, but the Navigation Light Controller Voltage is flexible and the system input power to the Switch Cabinet can be 24VDC, 115 VAC or 120-240 VAC.

S66N(D) MIL and S66N(D) MIL Arctic are Wheelmark (MED Certificate – Approved by DNV), UL1104, and USCG certified and according to COLREG.

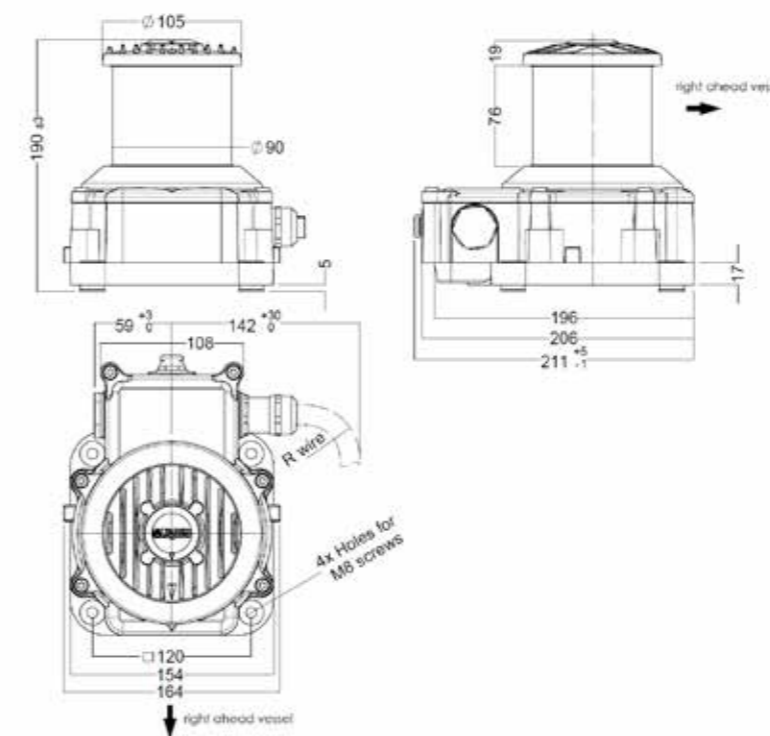
S66N MIL + Arctic = single LED
S66ND MIL + Arctic = Double LEDs



Series 66ND MIL and Arctic



Series 66N MIL and Arctic



Series 66N(D) MIL and Arctic

LED Navigation Light for harsh environments, Naval and Arctic Application



Technical description

Application

For vessels ≥20 meter in length

Basic facts

- Light source: LED
- Protection class: IP66/IP67 (IP68 laboratory test passed)
- Ambient Temperature: Standard version: -25°C to +55°C / Arctic version: -40°C to +55°C
- Voltage: 24V DC (input power to the Cabinet can be 24VDC, 115 VAC or 120-240 VAC)

Lifetime:

- 1x100.000 hours (Main) at Ta 45°C for Single Version (S66N MIL and S66N MIL Arctic)
- 2x100.000 hours (Main and Spare) at Ta 45°C for Double Version (S66ND MIL and S66ND MIL Arctic)

Housing

- Seawater resistant aluminum (BLACK)
- Borosilicate glass
- Stainless steel screws and nuts (4xHoles for M8 screws)

Cable gland

- Cable Gland Size: Single: 1 x M25 x 1.5 / Double: 2 x M25 x 1.5
- Brass nickel plated cable glands, for outer cable Ø 9.00-17.00 mm (Standard), Ø 8.00-12.00 mm (Reducer ring)

Quality

The products have gone through a series of tests including:

1. EMC Testing:
 - 1.1 MIL EMC Test
 - 1.2 DNV EMC Class B, Bridge and Open Deck according to IEC60092
2. MIL Shock Test
3. MIL Vibration Test
4. Climatic testing
5. Salt Mist Spray Test
6. Tests for IP rating (Dust and water)

Dimensions & weight

- Dimension: 248 mm x 189 mm x 190 mm (LxWxH)
- Weight of single 24V version: 2.50 kg
- Weight of double 24V version: 3.0 kg

Installation

Large junction box and easy access to terminals

- Minimum cable cross-section: 1.5 mm²
- Maximum cable cross-section: 2.5 mm²
- Permissible operational voltage range to be observed

Operation

- Can be operated with a Glamox OR a third party Navigation Light Control Panel. The third party control panel supplier must confirm compatibility and functional ability as well as COLREG compliance.
- Able to measure low current draw / Easy to install to vessel structure
- Only four bolts to fasten

Certificates

- Wheelmark (MED Certificate - Approved by DNV)
- UL1104
- USCG

Warranty

5 year warranty

Approvals

- EN 14744 (20015 – including AC 2006) Inland and Seagoing vessels - Navigational lights standards
- IEC 60945 Ed. 4.0, 2002 including Corr.1, 2008 Maritime navigation and radio equipment standards, including EMC
- COLREG 72, Annex I/14 International regulations for preventing collisions at sea MSC.253(83) Performance standards for navigational lights and control panels and associated equipment.
- IMANNA

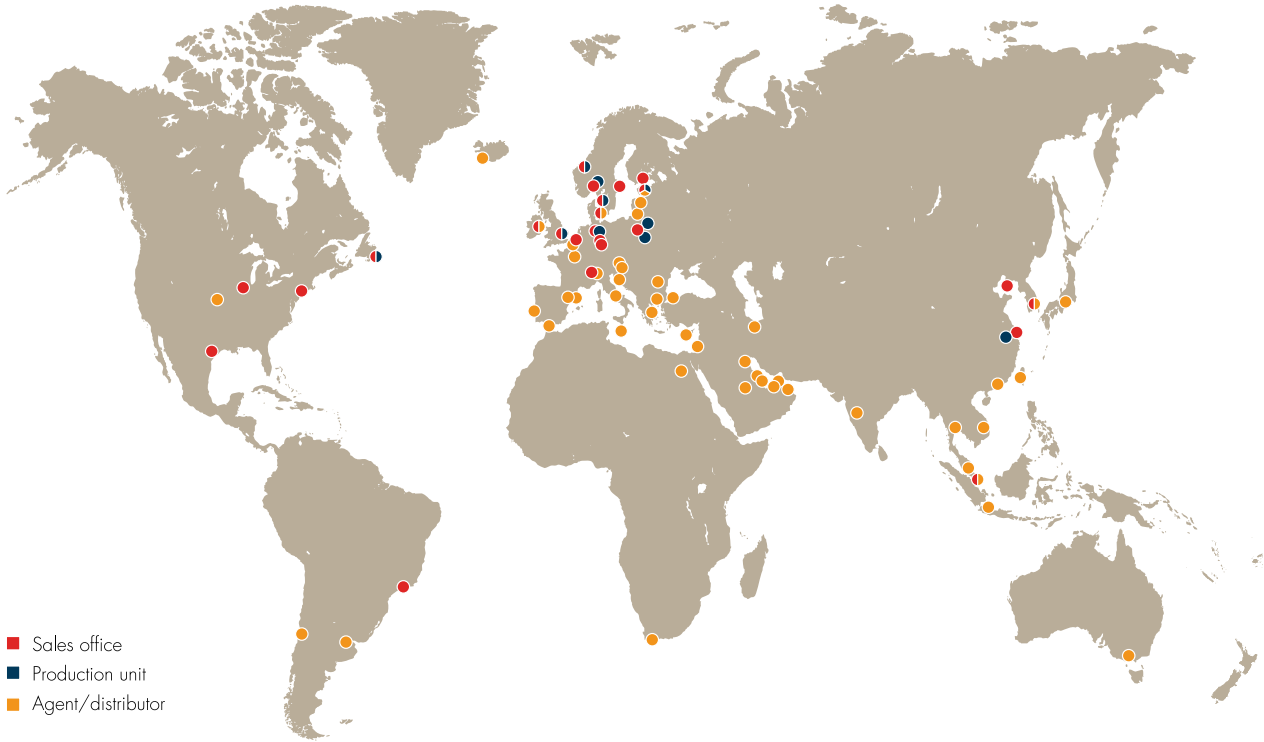
Naval mode

- NVG compatible also without dimming in COLREG mode
- NVG compatible and full range dimming in Naval mode

Available Variants

	Range (nm)	Item numbers	
Main system (24V DC)		S66N MIL	S66N MIL Arctic
Masthead	6	36810XXXXX	36810XXXXX
Starboard	3	36831XXXXX	36831XXXXX
Port	3	36842XXXXX	36842XXXXX
Stern white	3	36827XXXXX	36827XXXXX
Stern yellow	3	36824XXXXX	36824XXXXX
Stern blue	3	36825XXXXX	36825XXXXX
All-round green	3	36801XXXXX	36801XXXXX
All-round red	3	36802XXXXX	36802XXXXX
All-round yellow	3	36804XXXXX	36804XXXXX
All-round blue	3	36805XXXXX	36805XXXXX
All-round white	3	36807XXXXX	36807XXXXX
All-round red (2x180°)	3	36802XXXXX	36802XXXXX
All-round white (2x180°)	3	36807XXXXX	36807XXXXX
All-round red hoistable	3	36802XXXXX	36802XXXXX
All-round white hoistable	3	36807XXXXX	36807XXXXX
Wake light	x	33221XXXXX	-
Contour light starboard	3	33235XXXXX	33235XXXXX
Contour light port	3	33235XXXXX	33235XXXXX
Steering light	x	33285XXXXX	33285XXXXX
Manoeuvre light	5	36800XXXXX	36800XXXXX
Contour light port	3	33235XXXXX	33235XXXXX
Steering light	x	33285XXXXX	33285XXXXX
Manoeuvre light	5	36800XXXXX	36800XXXXX
Main and reserve system (24V DC / 24V DC)		S66ND MIL – Double	S66ND MIL Arctic – Double
Masthead	6	36760XXXXX	36760XXXXX
Starboard	3	36781XXXXX	36781XXXXX
Port	3	36792XXXXX	36792XXXXX
Stern white	3	36777XXXXX	36777XXXXX
Stern yellow	3	36774XXXXX	36774XXXXX
Stern blue	3	36775XXXXX	36775XXXXX
All-round green	3	36751XXXXX	36751XXXXX
All-round red	3	36752XXXXX	36752XXXXX
All-round yellow	3	36754XXXXX	36754XXXXX
All-round blue	3	36755XXXXX	36755XXXXX
All-round white	3	36757XXXXX	36757XXXXX
All-round red (2x180°)	3	36752XXXXX	36752XXXXX
All-round white (2x180°)	3	36757XXXXX	36757XXXXX
All-round red hoistable	3	36752XXXXX	36752XXXXX
All-round white hoistable	3	36757XXXXX	36757XXXXX

Series 66N(D) MIL is available in Single versions (Series 66N MIL), Double versions (Series 66ND MIL), Single Arctic versions (Series 66N MIL Arctic) and Double Arctic versions (Series 66ND MIL Arctic). For further questions on variants, please contact Navy & Coast Guard sales team.



- Sales office
- Production unit
- Agent/distributor

Germany

- Glamox Marine and Offshore GmbH
BU Glamox Marine Germany
Bremen
Tel +49 421 36 93 52-0
sales.marinegermany@glamox.com

- Glamox Marine and Offshore GmbH
BU LINKSrechts
Seevetal
Tel: +49 (0) 4105 580 59 0
info@LINKSrechts.de

Norway

- Glamox AS
Glamox Northern Europe
Molde
Tel +47 71 25 04 00
info.gj@glamox.com

The Netherlands

- Glamox B.V.
Numansdorp
Tel +31 186 653 111
info.nl@glamox.com

Canada

- Glamox Inc.
St. John's
Newfoundland
Tel +1 709 753 2373
sales@glamox.ca

USA

- Glamox Aqua Signal Corporation
Houston, Texas
Tel +1 (281) 944-4100
glamoxus@glamox.com

Brazil

- Glamox Brasil Iluminacao LTDA
Rio de Janeiro
Tel + 55 (21) 36 17 6003
arlindo.moreira@glamox.com

Singapore

- Glamox PTE. LTD
Singapore
Tel +65 6748 1977
Fax +65 6742 9711
sales@glamoxfe.com.sg

China

- Glamox Trading Co.Ltd.
Shanghai
Tel +86 21 6039 3310
info@glamoxcn.com

South-Korea

- Glamox Co. Ltd.
Busan
Tel +82 51 971 7200
info@glamox.co.kr



Please refer to our website for information about our 5 year warranty.